

AREA 2 - BEAM & PIER REINFORCEMENT LAYOUT

SCALE 1/8"=1'-0"  
SDR 5-1

AREA 4 - BEAM & PIER REINFORCEMENT LAYOUT

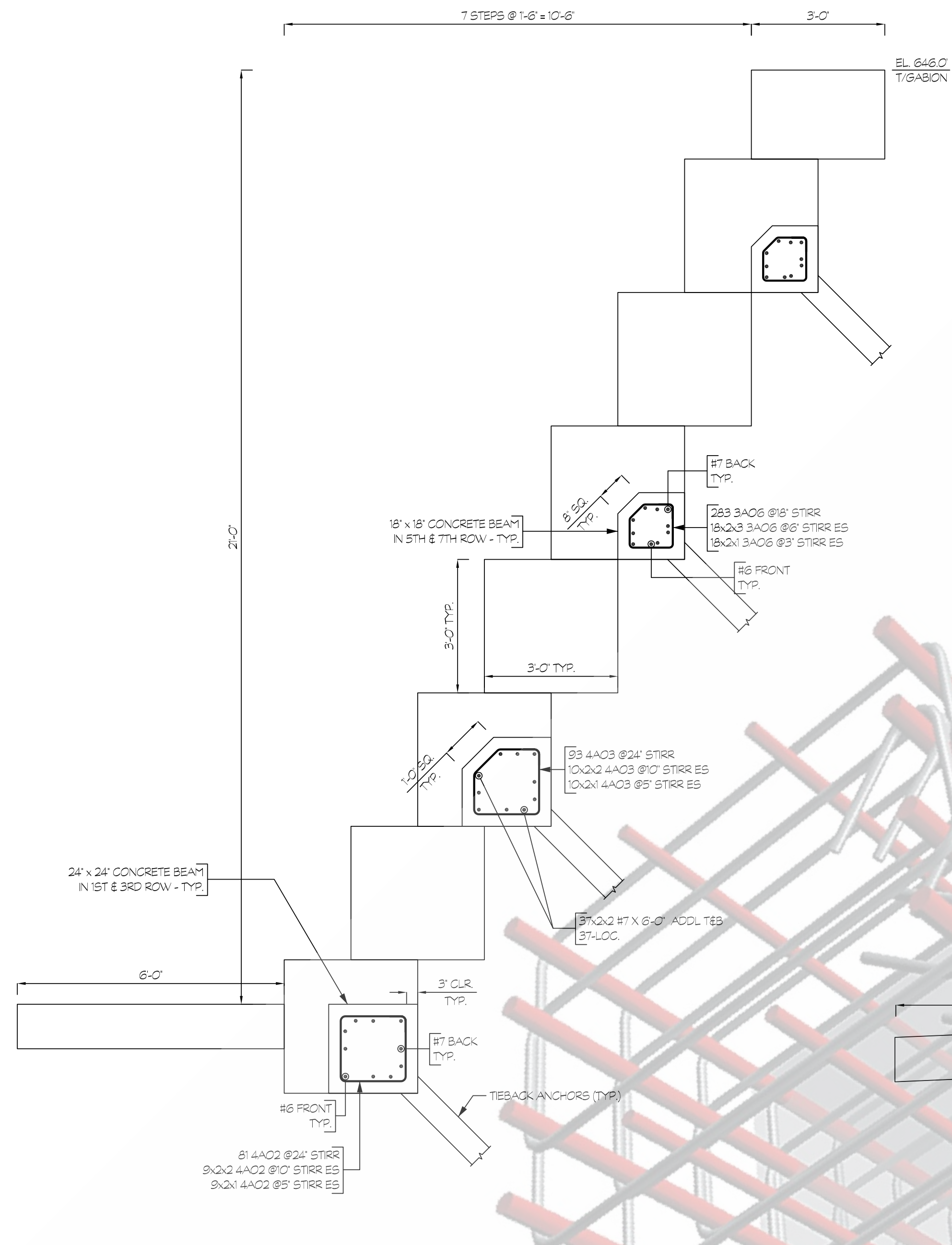
SCALE 1/8"=1'-0"  
SDR 5-3

AREA 3 - BEAM & PIER REINFORCEMENT LAYOUT

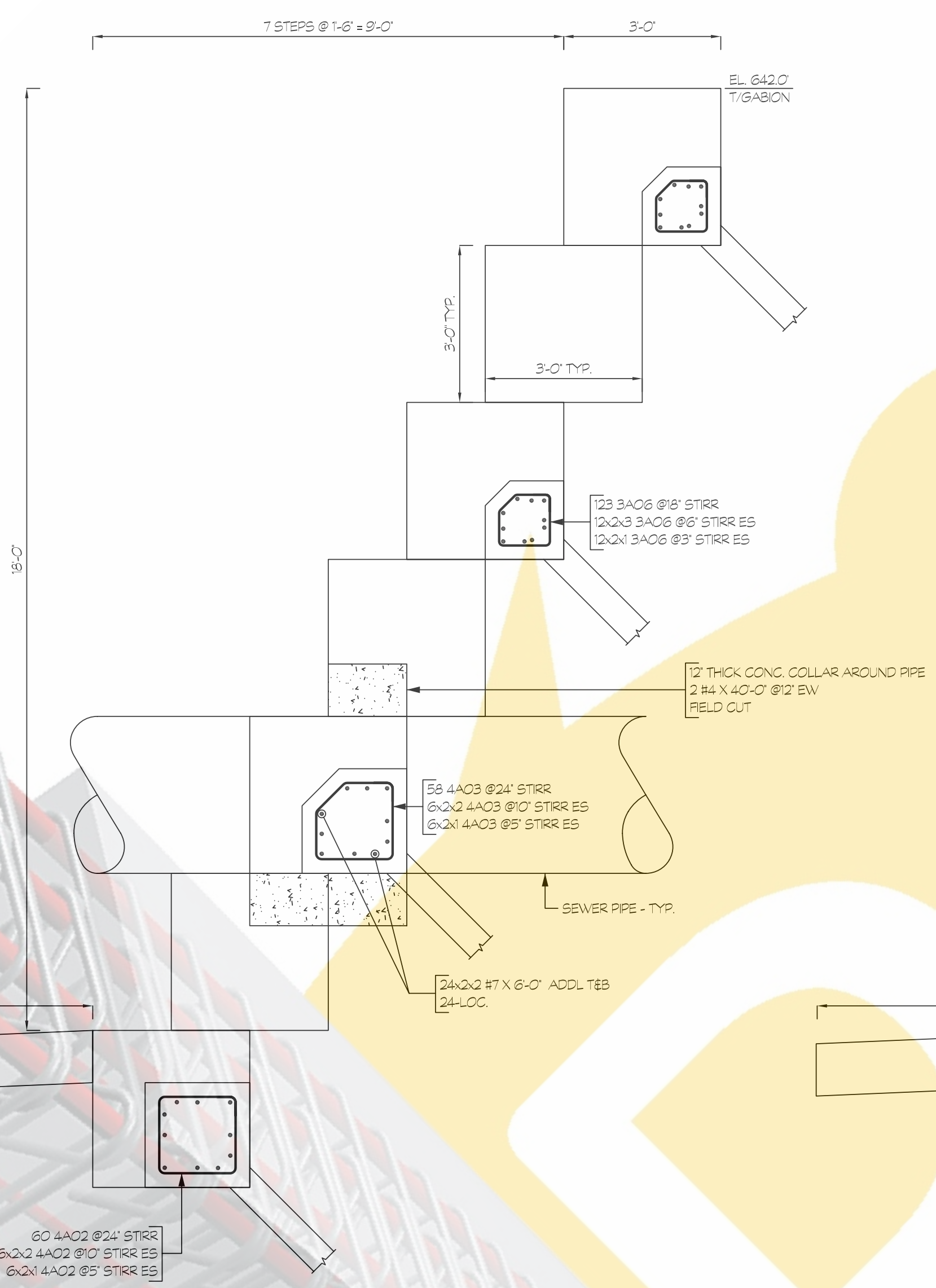
SCALE 1/8"=1'-0"  
SDR 5-2

ONCE REBAR SERVICES

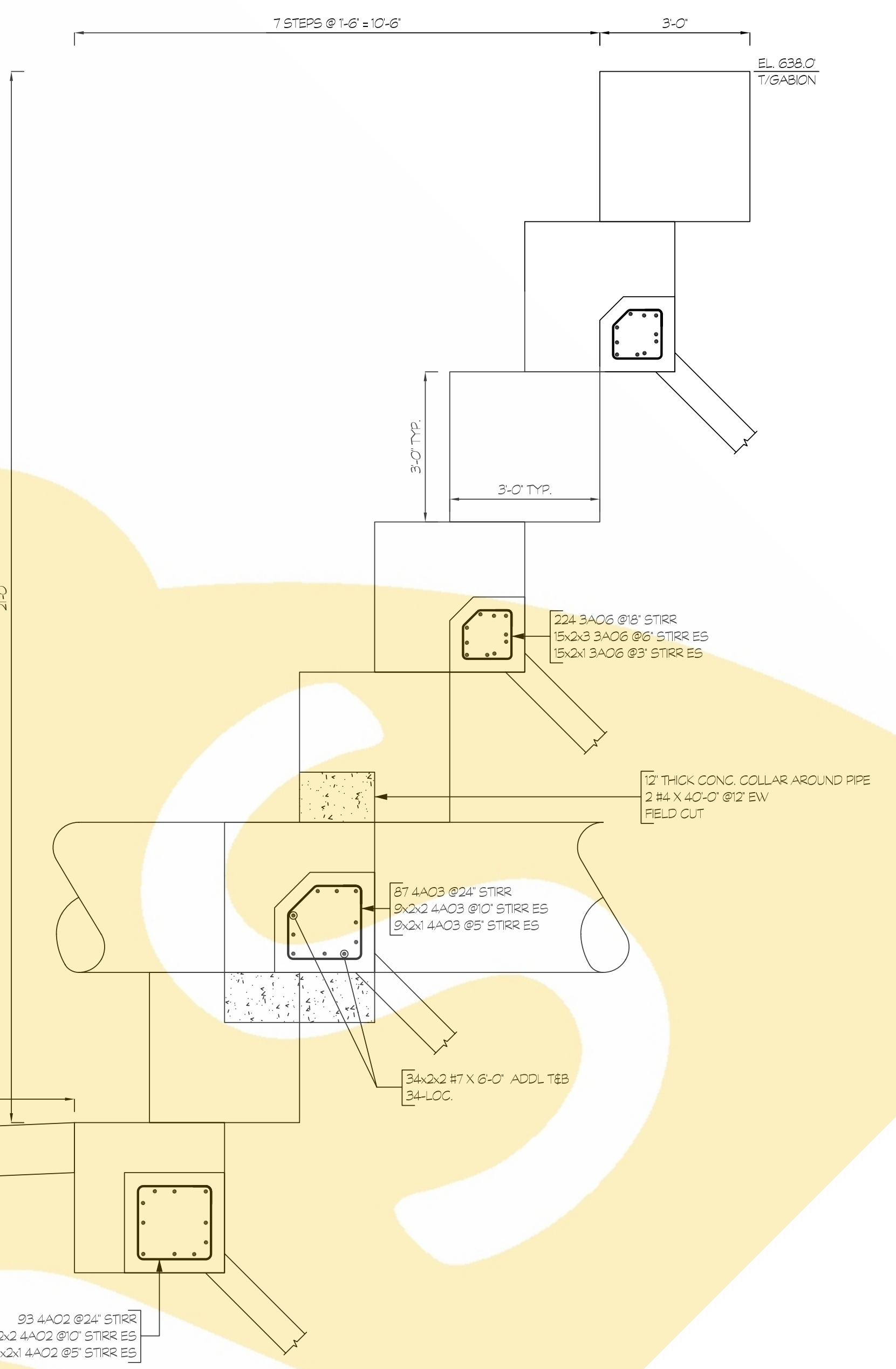




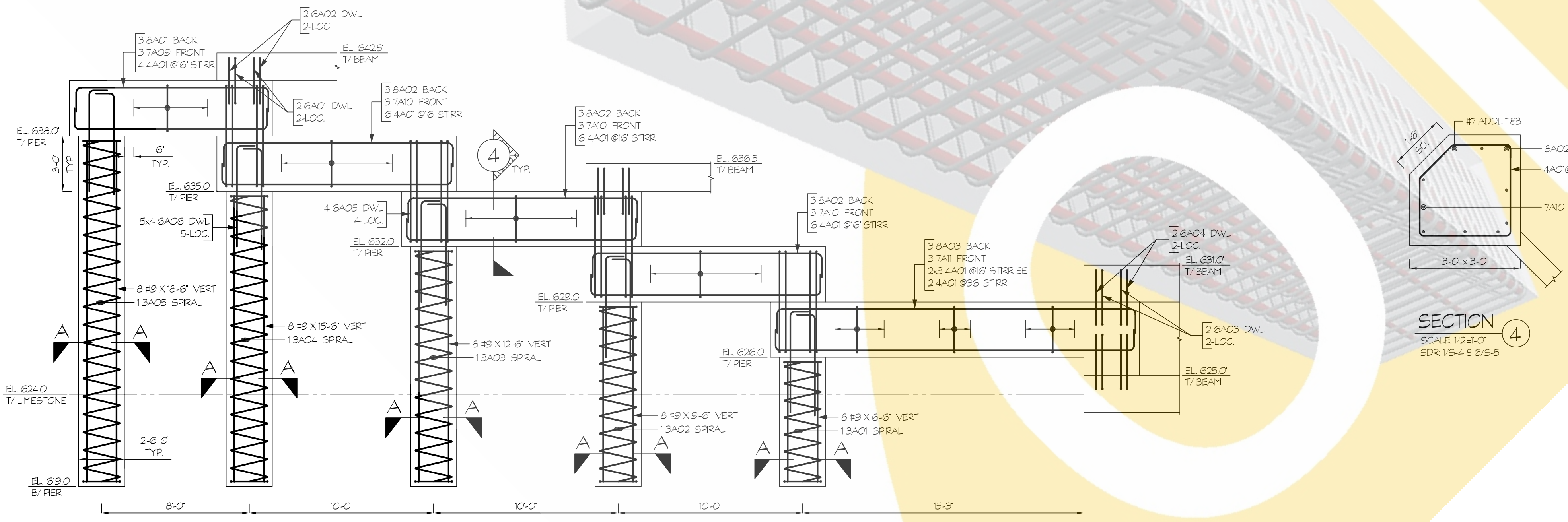
**SECTION 1**  
SCALE 1/2"=1'-0"  
SDR 1/5-1



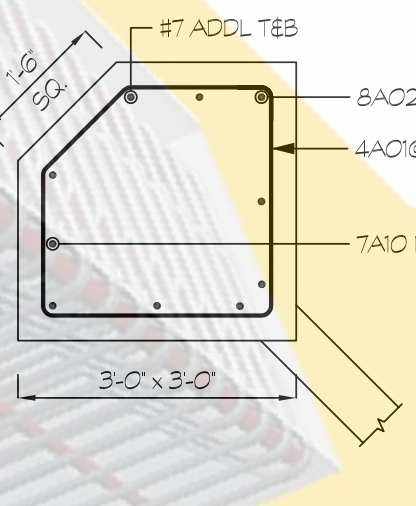
**SECTION 2**  
SCALE 1/2"=1'-0"  
SDR 1/5-2



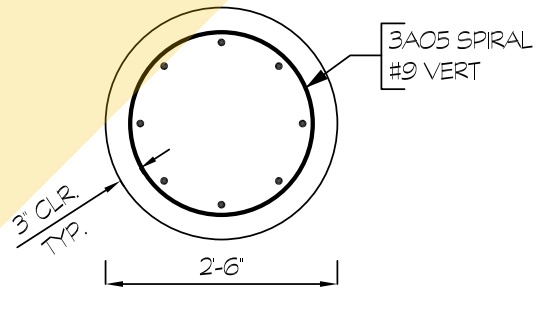
**SECTION 3**  
SCALE 1/2"=1'-0"  
SDR 1/5-3



**ELEVATION A**  
SCALE 1/4"=1'-0"  
SDR 1/5-4 & 6/5-5



**SECTION 4**  
SCALE 1/2"=1'-0"  
SDR 1/5-4 & 6/5-5



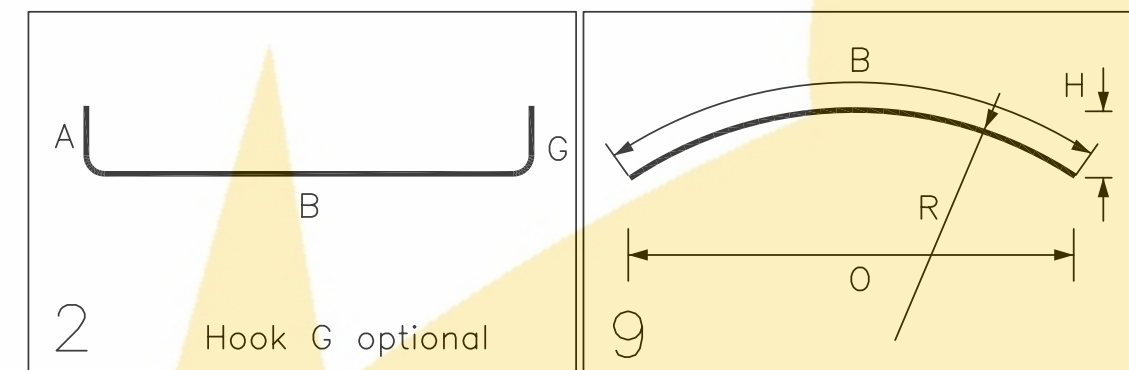
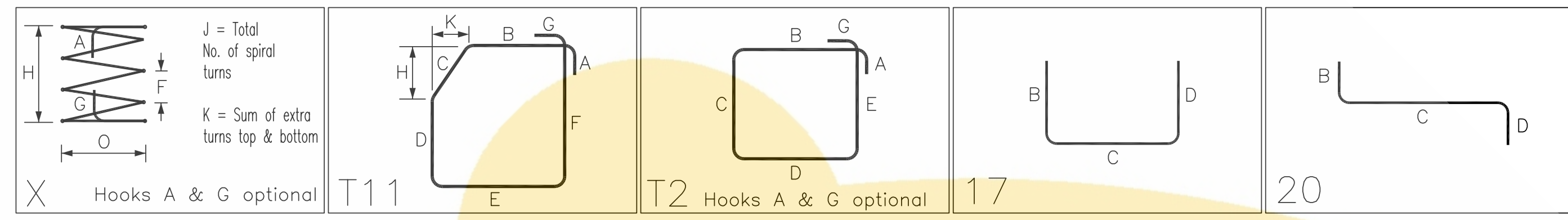
**SECTION A-A**  
SCALE 1/2"=1'-0"  
SDR 1/5-4

**ONCE REBAR SERVICES**



Release Number: R1.01-R1.03													BENDING DETAILS									
Bar Mark	Qty	Size	Total Length	Type	'A'	'B'	'C'	'D'	'E'	'F'	'G'	'H'	'J'	'K'	'O'	'R'						
3A01	1	#3	56'-6 1/2"	X					1'-0"			6'-6"	7.0	2.0	2'-0"							
3A02	1	#3	75'-4 3/4"	X					1'-0"			9'-6"	10.0	2.0	2'-0"							
3A03	1	#3	94'-2 3/4"	X					1'-0"			12'-6"	13.0	2.0	2'-0"							
3A04	1	#3	113'-1"	X					1'-0"			15'-6"	16.0	2.0	2'-0"							
3A05	1	#3	131'-11 1/2"	X					1'-0"			18'-6"	19.0	2.0	2'-0"							
3A06	990	#3	4'-5 1/2"	T11	0'-4"	0'-8"	0'-5 1/2"	0'-8"	1'-0"	1'-0"	0'-4"	0'-3 3/4"			0'-3 3/4"							
4A01	30	#4	10'-2 1/2"	T11	0'-4 1/2"	1'-7"	1'-3 1/2"	1'-7"	2'-6"	2'-6"	0'-4 1/2"	0'-10 3/4"			0'-10 3/4"							
4A02	384	#4	6'-9"	T2	0'-4 1/2"	1'-6"	1'-6"	1'-6"	1'-6"		0'-4 1/2"											
4A03	388	#4	6'-5"	T11	0'-4 1/2"	0'-11 1/2"	0'-9 1/2"	0'-11 1/2"	1'-6"	1'-6"	0'-4 1/2"	0'-6 1/2"			0'-6 1/2"							
6A01	2	#6	6'-6"	17			2'-0"	2'-6"	2'-0"													
6A02	2	#6	6'-6"	20			2'-0"	2'-6"	2'-0"													
6A03	2	#6	7'-0"	17			2'-0"	3'-0"	2'-0"													
6A04	2	#6	7'-0"	20			2'-0"	3'-0"	2'-0"													
6A05	4	#6	9'-6"	20			2'-0"	5'-6"	2'-0"													
6A06	20	#6	6'-6"	2	1'-0"	5'-6"																
6A07	66	#6	3'-1"	2	1'-0"	2'-1"																
6A08	3	#6	32'-5 3/4"	9								6'-11 1/2"			28'-2"	17'-10"						
6A09	3	#6	26'-9 3/4"	9								4'-2 3/4"			24'-11 3/4"	20'-9"						
6A10	3	#6	27'-6"	9								3'-10 3/4"			26'-0"	23'-10"						
6A11	3	#6	17'-3"	2	1'-0"	16'-3"																
6A12	3	#6	23'-9"	2	1'-0"	22'-9"																
6A13	3	#6	20'-4 1/2"	9								1'-11 1/2"			19'-10 1/2"	26'-8"						
6A14	3	#6	19'-5 1/2"	9								3'-9 1/2"			17'-4"	11'-10"						
6A15	3	#6	11'-11 1/2"	9								1'-11 1/2"			11'-1 1/2"	9'-2"						
6A16	3	#6	24'-8 1/2"	9								4'-10 1/2"			21'-11"	14'-10"						
6A17	3	#6	21'-8 1/2"	9								3'-10 1/2"			19'-9 3/4"	14'-10"						
6A18	3	#6	9'-1 3/4"	9								1'-9"			8'-3"	5'-10"						
6A19	3	#6	17'-10 1/2"	9								4'-0 1/2"			15'-2 3/4"	9'-3 1/2"						
6A20	6	#6	18'-11 1/2"	9								3'-6 1/2"			17'-1"	12'-2"						
6A21	3	#6	21'-1 1/2"	9								4'-4"			18'-6 1/2"	12'-2"						
6A22	3	#6	9'-0"	9								0'-2"			8'-11 3/4"	88'-4 1/2"						
6A23	9	#6	13'-6 1/2"	9								2'-6"			12'-2 3/4"	8'-10"						
6A24	3	#6	14'-2 3/4"	9								2'-8"			12'-10"	9'-2"						
6A25	3	#6	9'-8 1/2"	9								1'-11 1/2"			8'-7 1/2"	5'-10"						
6A26	3	#6	9'-6 1/2"	9								1'-9 1/2"			8'-7"	6'-2"						
6C01	3	#6	28'-10 1/2"	9								5'-6 1/2"			25'-9 3/4"	17'-10"						
6C02	3	#6	25'-7"	9								4'-4 1/2"			23'-6 1/2"	18'-2"						
6C03	3	#6	24'-2"	9								4'-8 1/2"			21'-7"	14'-10"						
6C04	3	#6	21'-0 1/2"	9								3'-6 1/2"			19'-4 1/2"	15'-2"						
7A01	3	#7	5'-2"	2	1'-2"	4'-0"																
7A02	3	#7	20'-9"	9								3'-2 1/2"			19'-4 1/2"	16'-5 3/4"						
7A03	3	#7	35'-2"	2	1'-2"	34'-0"																
7A04	3	#7	18'-5 1/2"	9								2'-2"			17'-9 1/2"	19'-8 3/4"						
7A05	3	#7	18'-0"	9								1'-9 1/2"			17'-6 1/2"	22'-9"						
7A06	3	#7	35'-5"	2	1'-2"	34'-3"																
7A07	3	#7	17'-2"	2	1'-2"	16'-0"																
7A08	60	#7	5'-2"	2	1'-2"	4'-0"																
7A09	3	#7	12'-10"	2	1'-2"	10'-6"						1'-2"										
7A10	9	#7	14'-10"	2	1'-2"	12'-6"						1'-2"										
7A11	3	#7	21'-10"	2	1'-2"	19'-6"						1'-2"										
7A12	3	#7	18'-7"	9								1'-8 1/2"			18'-2"	25'-8"						
7A13	3	#7	13'-1"	9								1'-0"			12'-10 3/4"	22'-8"						
7A14	3	#7	10'-2 3/4"	9								0'-8 1/2"			10'-1 1/2"	19'-4"						
7A15	3	#7	9'-0 3/4"	9								0'-8 1/2"			8'-11 1/2"	16'-6"						
7A16	3	#7	6'-11"	9								1'-3 1/2"			6'-3"	4'-6"						
7A17	3	#7	26'-0"	9								4'-10 1/2"			23'-5 1/2"	16'-8"						
7A18	3	#7	30'-2"	9								6'-3"			26'-5"	17'-1 1/2"						
7A19	6	#7	21'-3 1/2"	9								3'-11 1/2"			19'-2 1/2"	13'-8"						
7A20	3	#7	14'-11 1/2"	9								3'-4 1/2"			12'-8 1/2"	7'-8"						
7A21	9	#7	16'-7"	9								3'-1 1/2"			14'-11 1/2"	10'-8"						
7A22	3	#7	20'-1 1/2"	9								3'-7"			18'-4 1/2"	13'-8"						

Release Number: R1.01-R1.03													BENDING DETAILS									
Bar Mark	Qty	Size	Total Length	Type	'A'	'B'	'C'	'D'	'E'	'F'	'G'	'H'	'J'	'K'	'O'	'R'						
7A23	3	#7	15'-7 3/4"	9								2'-10 1/2"			14'-2 1/2"	10'-4"						
7A24	3	#7	11'-7 1/2"	9								2'-1 3/4"			10'-6 1/2"	7'-8"						
7A25	3	#7	25'-10"	9								5'-8 1/2"			22'-1 3/4"	13'-8"						
7A26	3	#7	13'-9"	9								3'-0 1/2"			11'-10"	7'-4"						
7A27	3	#7	12'-6 1/2"	9								2'-5 1/2"			11'-2 1/2"	7'-8"						
7A28	3	#7	8'-9"	9								1'-11 1/2"			7'-6 1/2"	4'-8"						
7A29	3	#7	9'-2"	9								2'-1 1/2"			7'-9"	4'-8"						
8A01	3	#8	13'-2"	2	1'-4"	10'-6"						1'-4"										
8A02	9	#8	15'-2"	2	1'-4"	12'-6"						1'-4"										
8A03	3	#8	22'-2"	2	1'-4"	19'-6"						1'-4"										



LAP SCHEDULE		
BAR DIA	FRONT BARS	BACK BARS
#3	1'-0"	1'-4"
#4	1'-4"	1'-10"
#5	1'-8"	2'-3"
#6	2'-1"	2'-3"
#7	2'-10"	4'-0"
#8	3'-3"	5'-3"

ONCE REBAR SERVICES